

Industrial switching & protection systems



SOCOMECC, an independent manufacturer

The SOCOMECC Group employs 2300 people and has a turnover close to 271 million.

Its core activities are the manufacture of electrical products and electronic equipment.

The company has full industrial control in both of its specialist divisions, guaranteed by ISO 9001:2000 certification.



Listening to our customers...

Teams of specialised designers, a highly integrated production and a dedicated sales network have led the SOCOMECC group to develop the most extensive ranges on the market for high-quality low-voltage industrial switching & protection components, as well as associated service and technical support.

This "Industrial Switching & Protection Systems" division is today centred on three distinct fields:

- low-voltage switchgear components,
- electronic control & protection,
- mounting & cabling, and integrated distribution systems.

Our solutions are in permanent evolution thanks to our customer contact, and are backed up by substantial R&D resources.

For over 85 years our customer-partners have recognised the quality of our products, our attentiveness and adaptability to their requirements as well as our close involvement.

SOCOMECC is also:

A range of UPS (Uninterruptible Power Systems).

Under SOCOMECC UPS, the group offers a second autonomous industrial activity of UPS from 400 VA to 4800 kVA.

SOCOMECC UPS also offers:

- static transfer systems,
- harmonic compensators,
- 400 Hz static converters,
- rectifier-chargers from 7.5 to 6000,
- a range of photovoltaic UPS.

Summary

Switching and isolation p. 2

Changeover switching p. 3

Fuse protection p. 4

Measurement, energy management and analyze p. 6, 8, 9

Insulation monitoring Fault search systems p. 10, 11

Electronic protection p. 12

Integrated products p. 13

Power factor correction p. 14

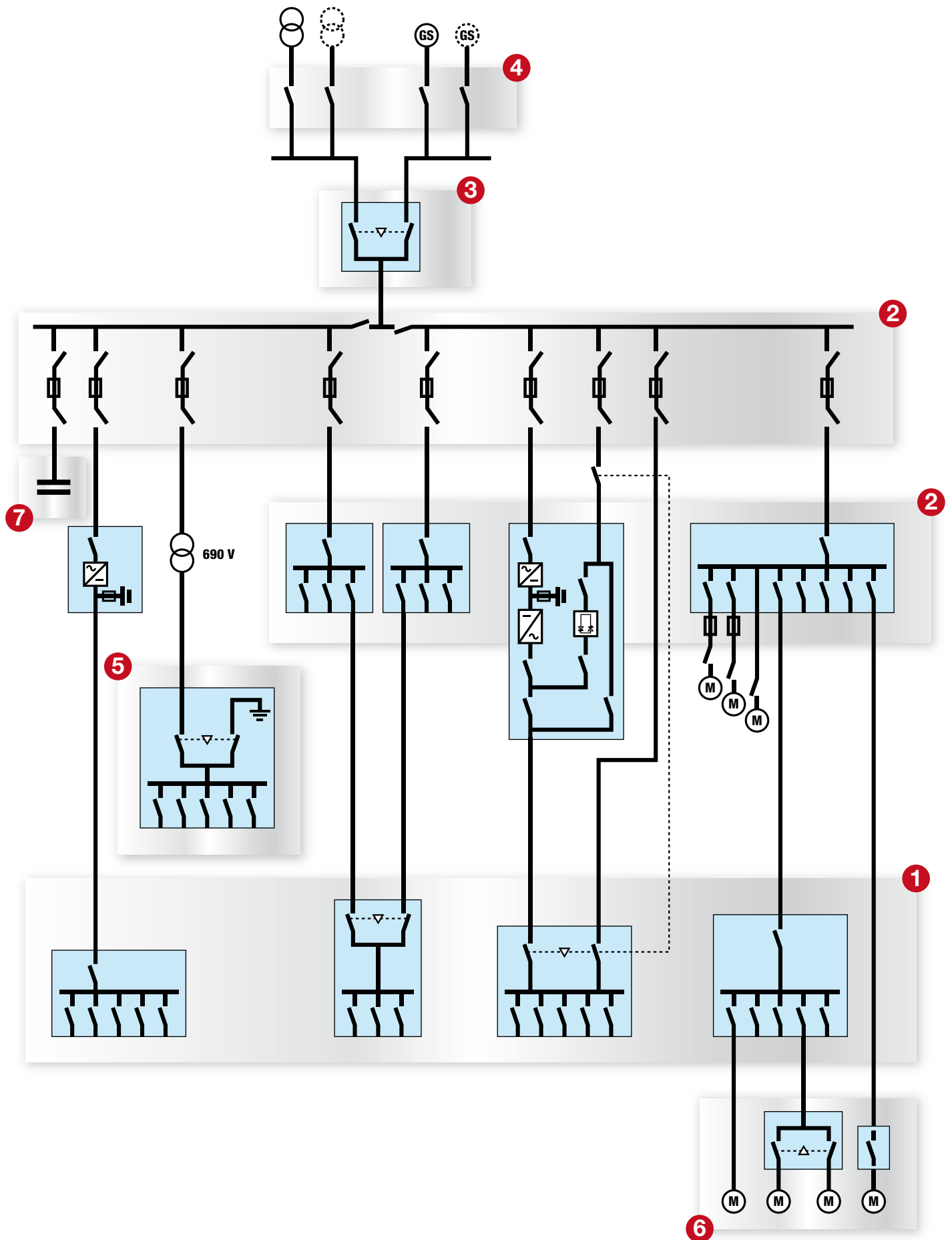
Enclosures & accessories p. 15, 16

⇒ Assuring your peace of mind !

Our team of "field" specialists can provide technical **audit** of your installation, a **commissioning** of your equipment and **product training** for the technical people in charge of the electrical installation.



Power control and management wherever it's needed



To control, protect and guarantee the safety of your electrical installation

Low voltage switchgear components, electronic control and protection, mounting & cabling and integrated distribution systems: efficient and competitive ranges of standard products adapted to meet your specific installation and contribute to the safety measures of people and property.



GAMME 072 B



APPLI 388 B

and guarantee the
rical installation



LOAD BREAK SWITCHES WITH MANUEL HANDLE

SIRCOM 025 A



> SIRCOM 1

- From 16 to 125 A
- 3, 4, 6 or 8 pole

SIRCOM 022 A



> SIRCOM MV 1

- From 100 to 160 A
- 3 and 4 pole

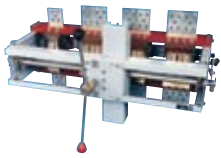
SIRCOM 014 C



> SIRCO 2

- From 125 to 4000 A
- 3, 4, 6 or 8 pole
- Direct or external, front or side operation

CMP 003 A



> CMP 2

- From 2500 to 5000 A
- 1, 2, 3 or 4 pole
- Direct or external, front or side operation

LOAD BREAK SWITCHES WITH VISIBLE BREAKING

SIDER 069 A



> SIDER 1

- From 125 to 1600 A
- 3 or 4 pole (N pole for SIDER ND)

> SIRCOM MV 1

> CMP

LOAD BREAK SWITCHES WITH TRIPPING FUNCTION

IDE 021 A



> IDE 1

- From 32 to 160 A
- 3 or 4 pole

SDMAT 066 A



> SIDERMAT 2

- From 250 to 1800 A
- 3 or 4 pole
- Direct or external, front or side operation

> CMP

LOAD BREAK SWITCHES WITH MOTOR CONTROLLED

SIRCO 345 A



> SIRCO 2

- From 125 to 3200 A
- 3 or 4 pole

LOAD BREAK SWITCHES FOR DC APPLICATION

SIRCO 369 A



> SIRCO DC 1

- From 40 to 315 A
- Multi polare

MANUAL CHANGEOVER

COMO 106 A



> COMO® C 1

- From 25 to 100 A
- 3 or 4 pole, 3+6 pole, 4+8 pole
- Positions: I/II, I/0/II, I/I+II/II and by-pass I/0/II

COMUT 004 B



> SIRCO VM1 1 3

- From 63 to 125 A
- 3 or 4 pole
- Positions: I/0/II and I/I+II/II

SVR 107 A



> SIRCOVER 2 5

- From 125 to 3200 A
- 3 or 4 pole
- Positions: I/0/II and I/I+II/II

BY-PASS MANUAL CHANGEOVER

SVR 069 A



> SIRCOVER by-pass

- From 125 to 1600 A
- 3+6 or 3+8 pole
- Positions: I/0/II and I/I+II/II

SVR 133 A



> ATS by-pass

- From 125 to 1600 A
- 4 pole
- Positions: I/0/II

REMOTE CONTROLLED CHANGEOVER

ATYSM 013 A



> ATYS M3 3

- From 63 to 160 A
- 4 pole
- Remote controlled

ATYS 003 A



> ATYS 3 3

- From 125 to 3200 A
- 3 or 4 pole
- Remote controlled

AUTOMATIC CHANGEOVER

ATYSM 007 A



> ATyS M6 3

- From 63 to 160 A
- 4 pole
- Automatic control integrated
- Transfer at distance of the switch and sources states

ATYS 102 B



> ATyS 6 3

- From 125 to 3200 A
- 4 pole
- Automatic control integrated
- Transfer at distance of the switch and sources states

UNIVERSAL N/S CONTROLLER

ATYS 448 B



> ATyS C30

- 2 power sources changeover switching

> ATyS C40

- 2 gensets changeover switching

FUSES

FUSIB 116 B FUSIB 114 B



> *gG and aM fuses*

- From 0.16 to 125 A, sizes 10x38, 14x51, 22x58
- From 6 to 1250 A, sizes 000, 00, 0, 1, 2, 3 and 4
- 500 or 690 VAC
- With or without striker

FUSIB 034 A



> *BS fuses*

- From 2 to 1250 A, sizes: F1 to F2, A1 to A4, B1 to B4, C1 to C3, D1
- 415, 550 or 660 VAC

FUSIB 106 B



> *Semiconductor protection fuses*

- From 10 to 2000 A, sizes: 14x51, 22x58, 0000, 000, 00, 0, 1, 1*, 2, 3
- 690 or 1250 VAC
- With or without striker
- Multiple connection types

FUSE COMBINATION SWITCHES FOR IN COMING POWER SUPPLY PROTECTION

FUSER 548 B



> *FUSERBLOC* ① ②

- From 25 to 1250 A
- 2, 3 or 4 pole
- Direct operation or external, front or side operation

> *FUSOMAT* ① ②

> *SIDERMAT combination* ① ②

FUSE COMBINATION SWITCHES FOR OUT COMING SUPPLY PROTECTION

FUSER 548 B



> *FUSERBLOC* ②

> *FUSOMAT*

FUSE-HOLDERS AND FUSE BASES

RM 017 B



> *RM/RMS/RMSC* ① ②

- From 1 to 4 pole
- From 32 to 100 A, sizes: 10x38, 14x51, 22x58
- With or without indicator on version 14x51 and 22x58, with padlocking support (RMSC)

SOCLE 022 A



> *Fuse bases*

- 1, 2, 3 or 4 pole
- From 160 to 2500 A, sizes: 00, 0, 1, 2, 3, 4
- With or without indicator
- IP2 from 160 to 630 A

FUSE COMBINATION SWITCHES FOR MOTOR DISTRIBUTION

> *FUSERBLOC* ① ②

UR FUSES COMBINATION SWITCHES FOR SEMICONDUCTOR FUSES

FUSER 286 B



> *FUSERBLOC* ① ②

- UR fuses from 10 to 2000 A
- 2, 3 or 4 pole
- Direct operation or external, front or side operation

UL/CSA FUSES COMBINATION SWITCHES

FERRAZ 007 B



> *FUSERBLOC*

- From 30 to 800 A
- 2,3 and 4 pole
- CC, J, L fuses
- Direct or external, front or side operation
- Handle type "flange"
- Accessories allowing to answer the modifications of standard UL 508A and NFPA 79

FUSE COMBINATION SWITCHES FOR OUT COMING HV/LV TRANSFORMERS

FUSOM 083 B



> *FUSOMAT* ④

- 3 or 4 pole
- From 250 to 1250 A
- IEC, NF, DIN, BS, and UR multi-standard fuses
- Direct operation or external, front or side operation
- Shunt trip coil or undervoltage coil

SDMAT 004 A



> *SIDERMAT combination* ④

- Visible breaking
- 3 or 4 pole
- From 630 to 1800 A
- IEC, NF, DIN fuses
- Direct or external, front operation

SENSORS

SHUNT 005A



> Shunt

- From 1 to 6000 A, on 100 mV
- Class 0.5

TRAFQ 074 A TRAFQ 021 A TRAFQ 089 B TRAFQ 008 B



> Current transformers

- From 5 to 5000 A
- Accommodates bars and cables, coiled primaries, opening
- Triphases modular version
- Class 0.5 - 1 - 0.2S
- Transformers with integrated converter or clip-on converter



> Current transformer protection device

INDICATORS AND TRANSDUCERS

AMPER 027 B VOLTM 025 B COSPH 001 1 FREQ 005 A MULTI 037 A



- Digital and analog meters, ROTEX DIN or modular panel-mounted cases
- Ammeters and voltmeters, AC/DC
- Frequency meters, phase meters and watt meters
- Multi-meters: MULTIS LMP and LMg (modular) and L72 (72x72)
- Time meters
- Phases changeover
- Programmable converter

COUNTIS SYSTEM

COUNT 174 B



> Single-phase kWh networks

COUNTIS AM10

- Direct input up to 32 A
- Class 1 according to IEC 62053-21
- 1 output impulse

COUNT 176 B



COUNTIS E10, E11 & E12

- Direct input up to 63 A
- Class 1 according to IEC 62053-21
- 1 output impulse
- E11: dual tariff
- E12: MID certified EN 50470 module B and D class B

COUNTIS SYSTEM (FOLLOWING)

COUNT 177 B



> Three-phase kWh networks 2

COUNTIS E20 & E21

- Direct input up to 63 A
- Class 1 according to IEC 62053-21
- 1 impulse output
- E21: dual tariff
- E21: certified EN 50470 module B and D class B

COUNT 179 B



COUNTIS E30, E31, E32 & E33

- Direct input up to 100 A
- Class 1 according to IEC 62053-21
- 1 impulse output (excepted E33)
- E31: dual tariff
- E32: MID certified EN 50470 module B and D class B
- E33: RS 485 link Modbus protocol

COUNT 196 A



COUNTIS E40, E41, E42 & E43

- Connection on CT/5 A up to 6000 A
- kWh and Kvarh measurement
- 1 impulse output. (excepted E43)
- E41: dual tariff
- E42: MID certified EN 50470 module B and D class B
- E43: RS 485 link modbus protocol

COUNT 196 A



COUNTIS E50 & E53

- Connection on CT/5 A up to 6000 A
- kW, kWh, Kvar, Kvarh, KVA and FP measurement
- 1 impulse output (E53 optional)
- E53: 4 tariffs and RS 485 link Modbus protocol

COUNT 089 B



> Centralised consumption 2

COUNTIS Ci

- 7 inputs TOR
- Time-dated memory for kWh consumed over one month and 10-minute segments for 8 days
- RS 485 link Modbus protocol

MULTI-FUNCTION METERS *DIRIS*

DIRIS 791 A



> *DIRIS A10*

- Multi-measurements
- Metering
- Alarms

DIRIS 743 A



> *DIRIS A20*

- Multi-measurements
- Metering

DIRIS 447 A



Optional modules

- RS 485 Modbus communication
- Alarms or impulse: 1 configurable relay output

DIRIS 742 A



> *DIRIS A40*

- Multi-measurements
- Metering
- Harmonics up to range 63

DIRIS 776 A



Optional modules

- RS 485 Modbus communication
- RS 485 Profibus-DP communication
- Ethernet communication
- Impulse metering: 2 outputs
- Alarms or control/command: 2 inputs and 2 outputs
- Temperature: 3 PT 100 inputs
- Memory: memorization of power demands, MIN/MAX and evenements

DIRIS 682 A



> *DIRIS A41*

- For networks with high level distortion.
- Diris A40 with measurement of neutral current from a 4th TC

DIRIS 744 A



Optional modules

- Same as Diris A40

DIRIS 828 A



> *DIRIS A60*

- *DIRIS A40* with events detection (voltages/currents) and memorization of 1/2 period RMS curves

NETWORK ANALYSER *DIRIS N*

DIRIS 754 A



> *DIRIS N300*

- Acquisition, processing and memory of measures, harmonics, load curves, load outage, voltage surges and vector diagram modules
- Ethernet
- RS485
- USB ports

> *DIRIS N600*

- *DIRIS N300* + inter-harmonics measurement, analysis of transient states, flicker and EN50160 report

DIRIS 762 A



> *DIRIS D600*

- LCD color display and graphic module which visualization and local configuration from *DIRIS N300* and *N600*

DIRIS 755 A



> Options modules

- Remote modules for centralization or control/command from TOR or analogic input/output
- Logic functions programming to create true automatisms

SOFTWARES AND COMMUNICATION INTERFACES

DIRIS 734 A



> Software *CONTROL VISION*

- Available in a multilingual version
- Reading of measurements and counters
- Configuration of *DIRIS A* and *COUNTIS Ci*
- Creation of logs and load curves
- Load curve
- Multi-workstation (intranet option)

DIRIS 735 A



> Software *BILLING APPLICATION*

- *CONTROL VISION* software is required
- Software for energy consumption management with tariff discrimination capability
- Generate invoices with consumption summary

INTER 043 B



> Communication interfaces

- External RS232/RS485 interface unit
- External USB/RS485 interface unit
- Modem RTC/RS232-RS 485
- Ethernet/RS485

HIGHLY DISTURBED NETWORKS

ISOM 268 B



> **ALD 590** ②

- Monitoring the insulation of IT global or split network for AC or DC circuits in highly disturbed environment
- Injecting the location signal
- **ISOM**® communication bus

ISOM 263 B



> **AL 390/AL 490** ②

- Monitoring the insulation of IT global or split network for AC or DC circuits in highly disturbed environment
- **ISOM**® communication bus

DISTRIBUTION NETWORKS

ISOM 141 B



> **AM 475** ①

- Live insulation monitoring of IT load AC or DC networks with power electronics

ISOLATED NETWORKS

ISOM 022 C



> **AS 130** ⑤

- Live insulation monitoring of IT isolated AC networks without power electronics

CONTROL CIRCUITS

ISOM 364 B



> **AS 420/AS 425**

- Live monitoring on an AC network of a command circuit in isolated IT conditions

ISOM 306 B



> **DS 190**

- Live monitoring of DC controlled networks in IT conditions

"IT MEDICAL" NETWORKS

ISOM 185 B



> **HL 765**

- AC network monitoring under voltage for medical IT networks
- **ISOM**® communication bus

TRAFD 083 A



> **TRM**

- Insulation transformer for hospital application

HIGHLY DISTURBED NETWORKS

ISOM 367 B



> **DLD 460-12** ②

- Live monitoring of distribution networks
- Fixed and simultaneous localisation on 12 feeder in an industrial context
- **ALD 590** and **AL 390** compatible

ISOM 369 A



> **DLRD 460-12 (TNS-TT networks)**

- Live monitoring of distribution networks
- Fixed and simultaneous localisation on 12 feeders in an industrial context

ISOM 373 B



> **RA 780**

- Universal alarm report and control system

ISOM/ISOMA 177 A



> **DLD 3090**

- Portable fault finding equipment for live checking on an industrial network

CONTROL CIRCUITS

ISOM 366 B



> **DLD 260-12**

- Fixed localisation on 12 feeders for control circuit

"IT MEDICAL" NETWORKS

ISOM 366 B



> **DLD 260-12 dedicated for IT medical networks**

- Fixed 12-feeder localizer in hospital environments

ISOM 240 B



> **RA 765**

- Remote alarm monitoring system
- **ISOM**® communication bus

COMMUNICATION GATEWAYS

ISOM 322 B



> **PASS IP/PASS MB**

- For remote use of GPI and DLD
- **PASS MB** for connection, monitoring software **ISOM VISION** (Modbus)
- Other gateways (TCP/IP, Profibus protocols) available to interface **ISOM**® products with PLC systems

EARTH LEAKAGE RELAYS

RESYS 041 B / 042 B / 044 B



> RESYS® M20/RESYS® M40 RESYS® P40 ① ②

- Type A
- Modular or panel-mounted case

RESYS 069 A

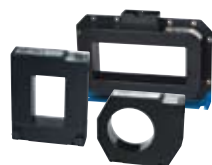


> RESYS® type B ②

- Type B with DC element
- Modular case

CORE BALANCE TRANSFORMERS

TORE 014 A / 015 A / 016 A



- Opening or closed toroids

SURGE PROTECTORS

SGYS 054 B



> SURGYS® G140-F/G40-FE/G70 ②

- Primary surge protector for LV

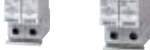
SGYS 050 C



> SURGYS® D40/E10 ①

- Distribution surge protector and equipment protection

SGYS 048 B



> SURGYS® RS-2/ma-2/TEL-2

- Low current surge protection for equipment protection linked to telecommunication networks and data transmission systems

SGYS 069 A



SAFETY ENCLOSURES

COFF 156 B



COFF 163 B



- Steel or polyester enclosure
- Equipped with a **SIDER®** load break switch with visible breaking
- From 50 to 1 600 A
- 3, 4 and 6 pole
- Double locking door
- Front or side operation
- Optional extra: mechanical flag indicator
- TOP/BOTTOM or BOTTOM/BOTTOM connection

SAFETY ENCLOSURE FOR EXPLOSIVE ATMOSPHERES



Zone 21 and 22 (dust) according to the European Directive ATEX 94/9/CE - Category 2

COFF 313 A



- Steel enclosure
- Equipped with a **SIDER®** load break switch with visible breaking
- From 50 to 630 A
- 3, 4 and 6 pole
- Side operation
- Double locking door
- Mechanical indicator
- BOTTOM-BOTTOM connection
- Push buttons and indicator lights mounted
- Polyamide or brass cable glands fitted

LOAD BREAK SWITCHES

COFF 293 A



COFF 292 A



- Steel, plastic or polyester enclosures
- Equipped with a **SIRCO®** with fully visible breaking
- From 125 to 1 250 A
- Front or side operation

CHANGEOVER SWITCHES

COFF 306 B



COFF 299 B



- Steel or polyester enclosures
- Equipped with a **SIRCO VM1**, a **SIRCOVER**, a **SIRCOVER by-pass** or an **ATyS**
- ATS version including isolation-bypass function
- From 63 to 1 600 A
- 4 pole for the automatic version
- 3 and 4 pole for the manual version
- Front operation
- Multiple options (solid neutral...)
- Double locking door

FUSE SWITCHES

COFF 284 A



COFF 300 B



- Steel or polyester enclosure
- Equipped with a **FUSERBLOC**
- From 20 to 800 A
- 3, 3+N and 4 pole
- Front or side operation
- Fully visible breaking

CORRECTION SYSTEMS

COSYS 037 A
COSYS 037 C
COSYS 037 A



> Fixed COSYS® 7

- From 1.45 to 127.7 kvar
- Standard or long-life capacitors
- 4 levels of harmonic resistance according to the degree of network pollution

COSYS 108 A
COSYS 113 B



> Automatic COSYS®

- From 7.5 to 1 100 kvar
- Standard or long-life capacitors
- 4 levels of harmonic resistance according to the degree of network pollution

COFF 216 B



> COSYS® for yellow tariff

- For contract between 36 and 252 kVA
- "Mixed" automatic solution

POWER FACTOR CORRECTION RELAYS 7

COSYS 135 B



- Ensures automatic connection of capacitors according to cos phi
- 3 models:
4 relays + 1 alarm relays
= COSYS® 4a (96 x 96)
6 relays + 1 alarm relays
= COSYS® 6a (96 x 96)
7 relays + 1 alarm relays
= COSYS® 7a (144 x 144)

COSYS® RACKS PRE-EQUIPPED 7

COSYS 081 A



- From 15 to 105 kvar
- Standard capacitors
- 4 levels of harmonic resistance according to the degree of network pollution

INSULATED ENCLOSURES

COMBI 001 A



> COMBIESTER

- Modular enclosures
- Monobloc enclosures:
4 models from 125 x 75 mm to 250 x 175 mm
- Assemblage enclosures: 17 models every 90 mm from 180 x 135 mm to 720 x 540 mm
- Solid casing with transparent or opaque covers (polycarbonate or polyester)

MINIP 003 A



> MINIPOL

- 7 models from 300 x 250 x 140 mm to 800 x 600 x 300 mm
- Solid casing with transparent doors (polycarbonate)
- Solid casing with opaque doors (glass fibre reinforced polyester)

STEEL ENCLOSURES

KDRYS 419 A



> CADRYS® enclosure

- ST/SH enclosures, steel:
- 51 models, heights from 300 to 1 200 mm,
- 1 or 2 solid doors opening to 120°
- SP enclosures, steel:
- 17 models, heights from 500 to 1 200 mm,
- transparent door with frame with polyester epoxy paint RAL 6022
- SI enclosures, brushed stainless steel:
- 9 models, heights from 200 to 1 000 mm,
- solid door, double bar locking, concealed hinges, without closing plate

KDRYS 432 A
KDRYS 418 A

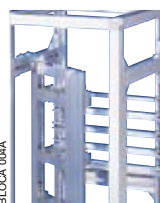


> CADRYS® cabinets

- Monobloc cabinets: 15 models, heights from 1 600 to 2 000 mm
- Modular cabinets: 96 models, heights from 1 600 to 2 200 mm
- Solid or transparent doors.
- Cover plates and doors for modular devices

BLOCAL® ALUMINIUM MOUNTING SYSTEMS

BLOCA 004 A



- 10 types of profile in 3 lengths
- An extensive range of accessories enabling power chassis mounting on request
- Range of standard or custom-made frames

DESKS

KDRYS 360 A
KDRYS 357 A



> CADRYS® SBA or AE desks

- Monobloc or expandable models
- 11 models, widths from 600 to 1 600 mm

Enclosures and accessories

COPPER BUSBARS

BARRE 011A



- Solid or insulated flexible busbars
- Perforated busbars
- Threaded busbars
- Connection accessories

BUSBAR-SUPPORT SYSTEMS

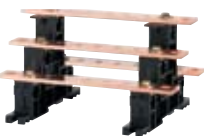
SB 123 A



SB 195 A



SB 084 A



SB 128 B



- Flat mounting, stair mounting or edgewise mounting
- Single or multi-pole supports (3 or 4 pole)
- Insulators
- Permissible amperage up to 7 000 A

- Bar sizing software operating in a Windows® 95, 98, 2000, NT or XP environment

DISTRIBUTING BLOCKS

REPAR 020 C



- Range of distributing frames designed to be connected to SOCOMEC apparatus
- From 80 to 630 A
- Single or multi-pole supports (1, 2, 3 and 4 pole)
- Terminal lug or cable clamp connection
- Distributing frames for modular application

POWER TERMINAL

BORN 016 A



- From 250 to 630 A
- Multi-pole supports (3 or 4 pole)
- Connection by lugs or cable clamps

Enclosures and accessories

COPPER BUSBARS

BARRE 011A



- Solid or insulated flexible busbars
- Perforated busbars
- Threaded busbars
- Connection accessories

BUSBAR-SUPPORT SYSTEMS

SB 123 A



SB 195 A



SB 094 A



SB 128 B



- Flat mounting, stair mounting or edgewise mounting
- Single or multi-pole supports (3 or 4 pole)
- Insulators
- Permissible amperage up to 7000 A

- Bar sizing software operating in a Windows® 95, 98, 2000, NT or XP environment

DISTRIBUTING BLOCKS

REPAR 020 C



- Range of distributing frames designed to be connected to SOCOMEC apparatus
- From 80 to 630 A
- Single or multi-pole supports (1, 2, 3 and 4 pole)
- Terminal lug or cable clamp connection
- Distributing frames for modular application

POWER TERMINAL

BORN 016 A



- From 250 to 630 A
- Multi-pole supports (3 or 4 pole)
- Connection by lugs or cable clamps

CABLE TRUNKING

GOULO 029A



- 3 models: rigid, flexible adhesive and halogen-free.
- 29 sections.

MOUNTING RAILS AND PROFILES

ELCHA 039 A



- 21 types of profiles with or without perforation.
- Material: zinc-bichromate or galvanised, stainless steel or aluminium.

THERMAL CONTROL

VENTI 033 A
VENTI 013 A



- Ventilation.
- Wall-mounted air conditioner.
- Roof-mounted air conditioner.
- Heating resistors.
- Thermostats and ventilators.

A top organization at your service

> Friendly and direct contact



SITE 117 A

We attach great importance to supplying you with the best product to suit your requirements. That's why we have a fully integrated sales network that really understands your industrial environment. Relevant departments work closely with you, depending on the project.

> Constant innovation



SITE 118 A

Technological scanning is second nature for our people. Working hand-in-hand with numerous technological partners means we can continually build on our expertise.

> Integrated production



CORPO 175 A

As an independent manufacturer, SOCOMEC exercises complete control over its strategic design and manufacturing processes and makes full use of the latest advances as far as flexibility is concerned. Our integrated production organised in autonomous working groups offers customers faultless manufacturing quality with full control over delivery times.

> The right products



SITE 041 A

We offer you the most comprehensive range of control and protection systems available on the market: thanks to 'customised' solutions adapted from standard products, our range is able to cover a wide spectrum of applications.

Adapted services

> Service and technical assistance: assuring your peace of mind



CORPO 164 A

Manufacturer's expertise

Over several decades, SOCOMEC's Switching and Protection Systems have acquired a distinguished reputation in the domain of low voltage electrical distribution equipment testing and safety.

Our manufacturer's expertise naturally extends to a complete offer of services designed to help you get the most out of your installation.

The security of an engaged partner

- Specially adapted skills
- Reassuringly close at hand
- Constantly attentive to your needs

Tailor-made features

Commissioning

Installation of your equipment is carried out by a specialist, and is totally compatible with and adapted to your use.

Tailor-made features

A broad range of features tailored to respond to the particular requirements and limitations of your electrical installation, and to help you deal with specific operational demands.

Training

You will receive training, specially adapted to your needs, in order to familiarise you with our equipment and enable you to use it to your best advantage.

Maintenance contracts

A wide range of preventive or corrective maintenance options designed to suit your installation and its environment, and to ensure continuity of service of your electrical networks.



CORPO 155 A



APPLI 265 A



APPLI 387 A

> Pierre SIAT electrical test stations



CORPO 165 A

SOCOMECS test laboratory is accredited by the French accreditation body COFRAC (Comité Français d'Accréditation). It is a member of the ASEFA (Certification body for low voltage equipment) and of the LOVAG (Low Voltage Agreement Group) and regularly works in partnership with the international certification bodies: KEMA, CEBEC, UL, CSA, ASTA, Lloyd's Register of Shipping, Bureau Veritas, BBJ-SEP, EZU, GOST-R...



Socomec *worldwide*

IN EUROPE

BELGIUM

SOCOMECE BELGIE
B - 1190 Brussel
Tel. +32 (0)2 340 02 30 - Fax +32 (0)2 346 28 99
be.scp.order@socomec.com

FRANCE

SOCOMECE
F - 67235 Benfeld Cedex
Tel. +33 (0)3 88 57 41 41 - Fax +33 (0)3 88 74 08 00
scp.vex@socomec.com

GERMANY

SOCOMECE GmbH
D - 76275 Ettlingen
Tel. +49 (0)7243 65 29 2 0 - Fax +49 (0)7243 65 29 2 13
info@socomec.com

ITALY

SOCOMECE Elettrotecnica s.r.l.
I - 20098 San Giuliano Milanese (MI)
Tel. +39 02 98 498 21 - Fax +39 02 98 243 310
it.scp.info@socomec.com

SPAIN

SOCOMECE ELECTRO, S.L.
E - 08310 Argentona (Barcelona)
Tel. +34 93 741 60 67 - Fax. +34 93 757 49 52
es.scp.info@socomec.com

THE NETHERLANDS

SOCOMECE B.V.
NL - 3992 De Houten
Tel. +31 (0)30 63 71 504 - Fax +31 (0)30 63 72 166
info@socomec.nl

UNITED KINGDOM

SOCOMECE Ltd
Hitchin Hertfordshire SG4 0TY
Tel. +44 (0)1462 440033 - Fax +44 (0)1462 431143
sales.uk.scp@socomec.com

IN ASIA

NORTH EAST ASIA

SOCOMECE CHINA
CN - 20030 P.R.C Shanghai
Tel. +86 21 5298 9555 - Fax +86 21 6228 3468
socomec@socomec-shanghai.com

SOUTH EAST ASIA & PACIFIC

SOCOMECE SWITCHING AND PROTECTION
UBI TECHPARK - Singapore
Tel. +65 65 07 94 90 - Fax +65 65 47 86 93
sg.scp.socomec@socomec.com

SOUTH ASIA

SOCOMECE-HPL PVT
Gurgaon, Haryana - India
Tel. +91 124 2210970 - 74 - Fax +91 124 2210976
in.scp.socomec-hpl@socomec.com

IN MIDDLE EAST

UNITED ARAB EMIRATES

SOCOMECE Middle East
Dubai, U.A.E.
Tel. +971 (0) 4 29 98 441 - Fax +971 (0)4 29 98 449
sales.ae.scp@socomec.com

IN NORTH AMERICA

USA, CANADA & MEXICO

SOCOMECE Inc
Cambridge, MA 02142 USA
Tel. +1 617 245 0447 - Fax +1 617 245 0437
us.scp.sales@socomec.com

HEAD OFFICE

SOCOMECE GROUP

S.A. SOCOMECE capital 11 313 400 €
R.C.S. Strasbourg B 548 500 149
B.P. 60010 - 1, rue de Westhouse - F-67235 Benfeld Cedex - FRANCE

INTERNATIONAL SALES DEPARTMENT

SOCOMECE

1, rue de Westhouse - B.P. 60010
F - 67235 Benfeld Cedex - FRANCE
Tel. +33 (0)3 88 57 41 41 - Fax +33 (0)3 88 74 08 00
scp.vex@socomec.com

www.socomec.com

Non contractual document. © 2009, Socomec SA. All rights reserved.

